



## Fully Articulated Arm

Both primary and secondary arms contain bearing arrangements that will allow articulation for easier welding.

## Optional Air Brakes

Air brakes are available for each rotating joint. They are controlled with a pneumatic switch suspended on the end of the arm.

## Spool or Drum

Integrate your material to the Swivel Arc system with the spool/ drum platform on the portable base model.



## Capable of Pulling 4043

Swivel Arc is proud of its pulling capabilities. Welders know how difficult aluminum can be when feeding. This system pulls soft material, even with the arms at heavy angles.

## Feeder Drop-down Controller

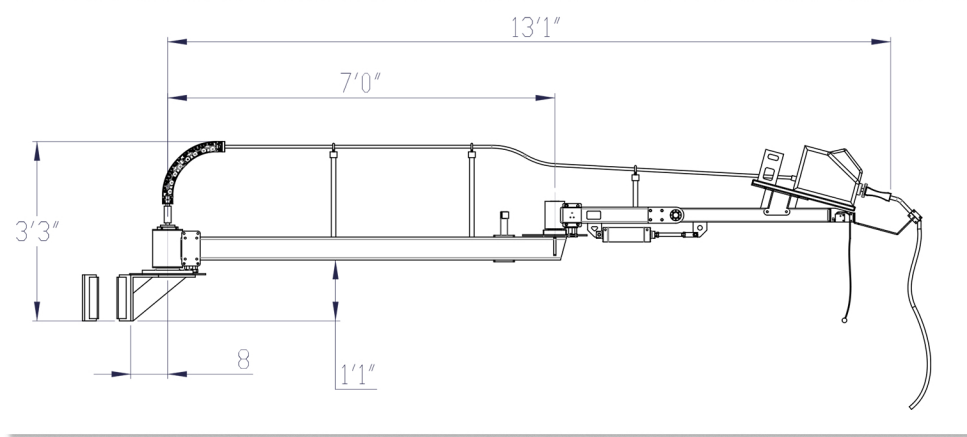
A rocker switch is mounted to the pedestal of the system. It incrementally tilts the end of the arm up and down, allowing the welder to easily access the feeder.

## Portable Base

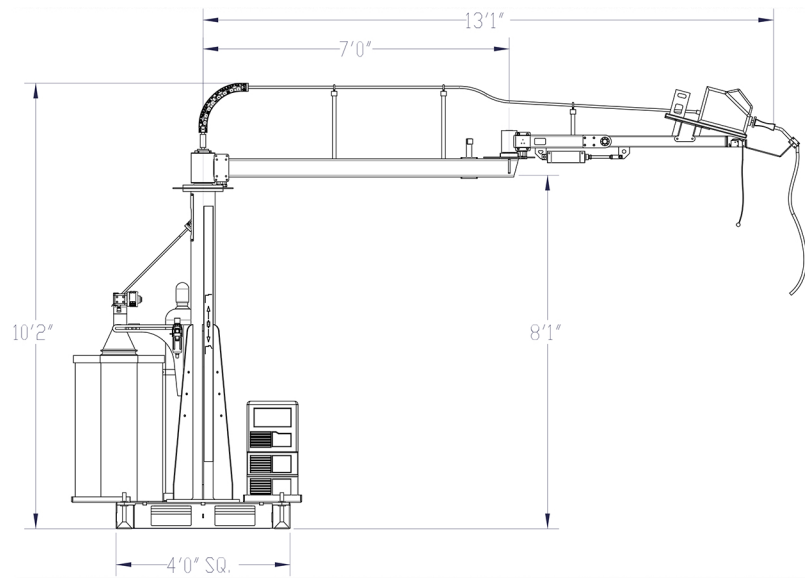
System is able to be moved with a fork truck when mounted to the portable base. The base contains two fork pockets for easier handling.

## 13ft. Arm + 15ft. Whip

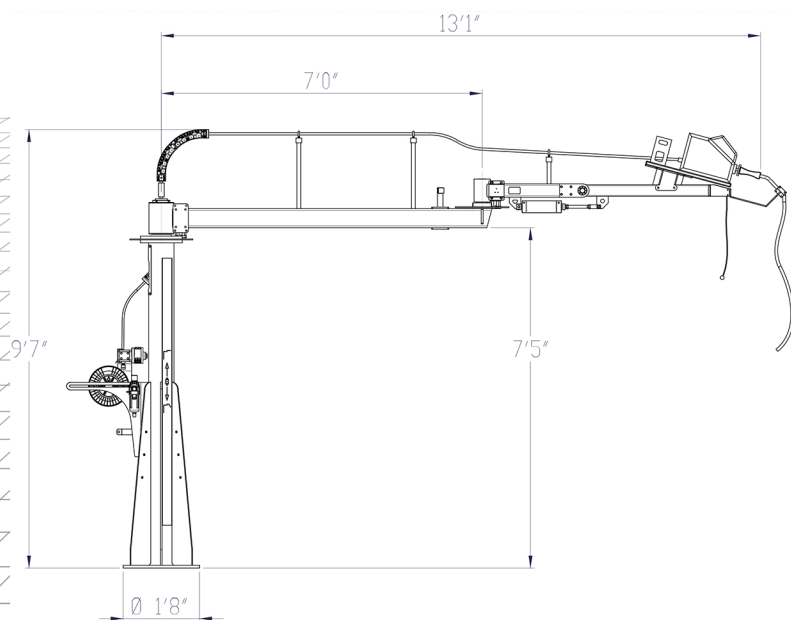
26ft. radial reach and long whip to make a versatile work cell.



*C o l u m n M o u n t*



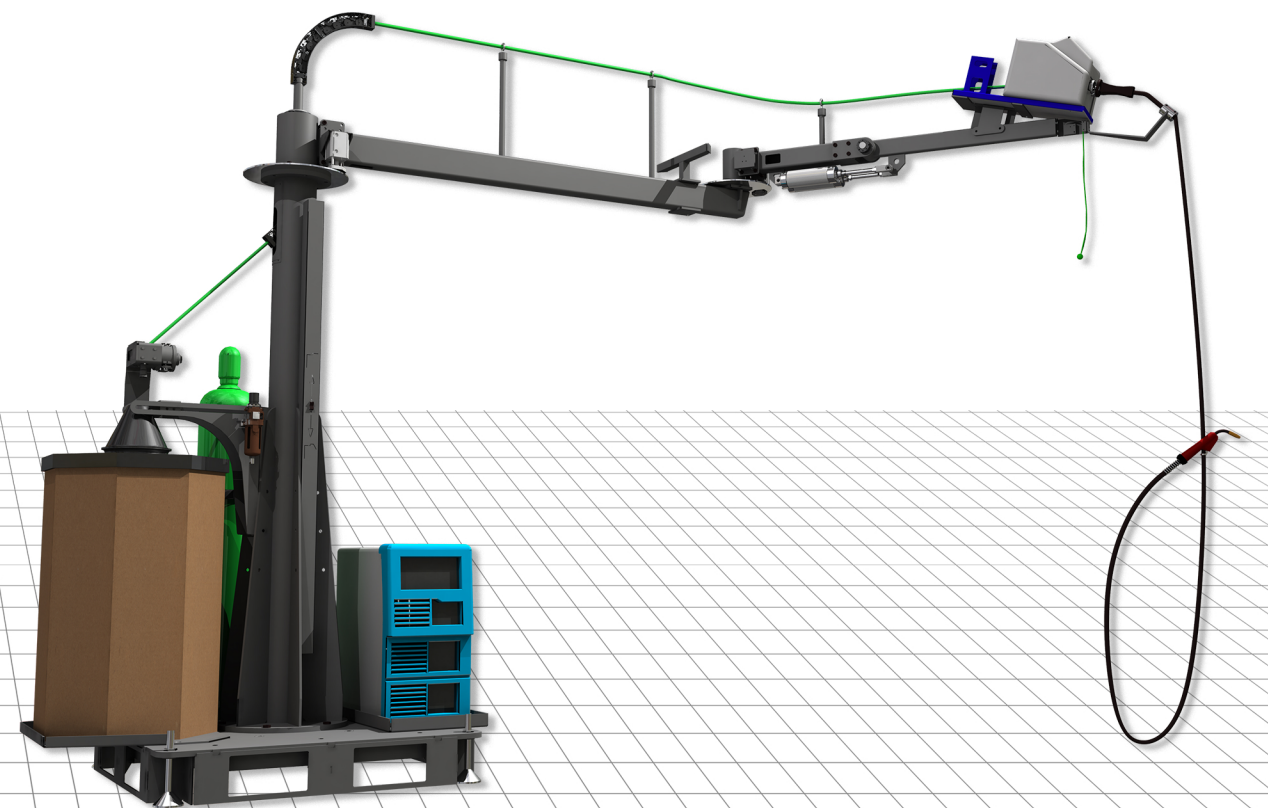
*P o r t a b l e B a s e*



*P e d e s t a l*



*W e l d i n g M a d e E a s y*



*w w w . s w i v e l a r c . c o m*